



LELOX®

Proudly Australian

LELOX

TRUCK ACCESSORIES

Product Catalogue

www.lelox.com

LELOX





LELOX prides itself on innovation, producing quality and unique products, right here in Sydney Australia.

When it comes to your truck, mudguards are the focal point. With LELOX stainless steel mudguards you stand out from the crowd.

They're durable, reliable and shiny. That's how LELOX makes good trucks look great.



Our stainless steel mudguards illuminate the highways.

Proudly made in Australia, where durability meets distinction.



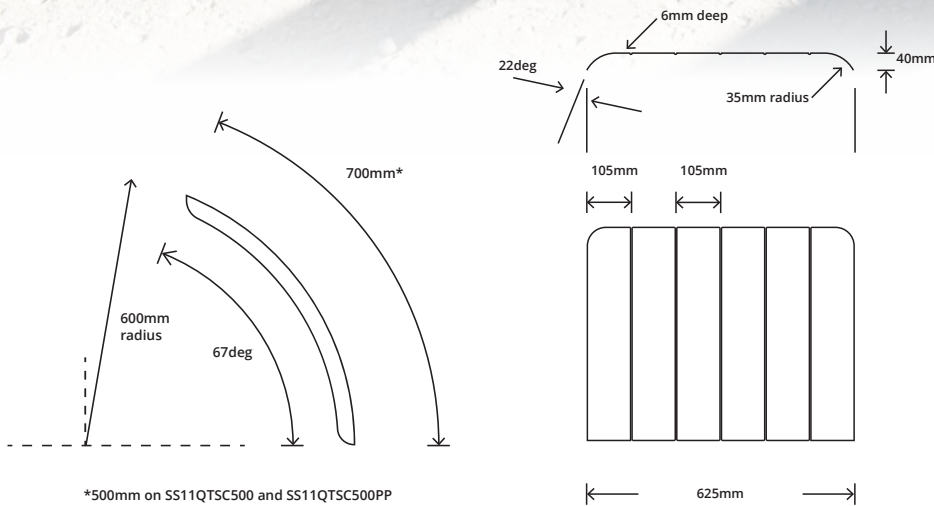
06	Quarter Mudguard Curved Edge	12	Signature Series Mudguard
07	Quarter Mudguard Curved Edge Provision for Mudflap	14	Super Single Mudguard Steel Reinforced Edge
08	Single Mudguard Curved Edge	14	Half Tandem Mudguard Curved Edge
08	Single Mudguard Curved Edge No Grooves	16	Tandem Mudguard Curved Edge
08	Single Mudguard Curved Edge Low Profile	17	Tandem Mudguard Steel Reinforced Edge
10	Single Mudguard Steel Reinforced Edge	18	Triaxle Mudguard Curved Edge
10	Single Mudguard Low Profile 16" Steel Reinforced Edge	19	Extra Long Mudguard Curved Edge
		20	Cab Chassis Ute Mudguard Steel Reinforced Edge

Contents



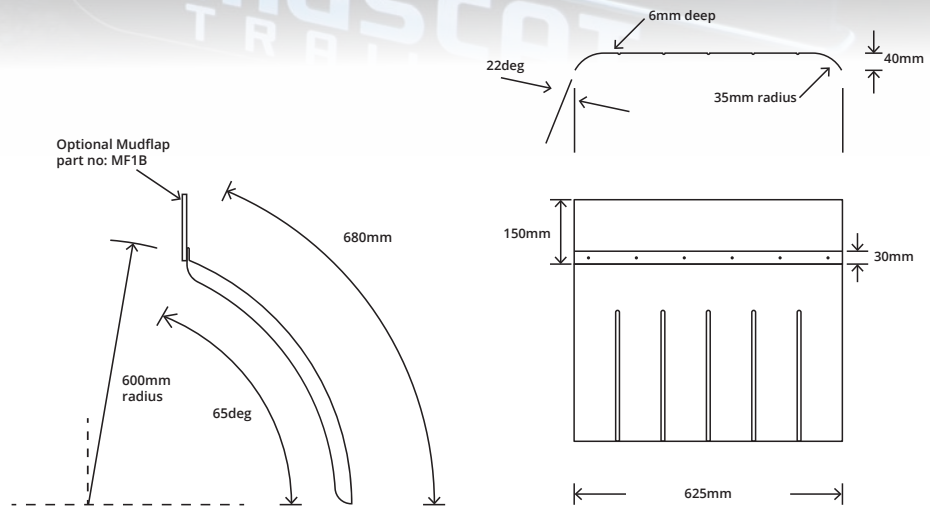
21	Custom Mudguard	32	Chassis Pipes Offset
22	Mudflap	33	Chassis Pipes Straight
23	Loop Kit	34	PipeLight Holder
24	Quick Release Mudflap Clamp	36	C Channel Light Bar
25	Quick Release Mudflap Clamp Tipper	37	Tail Light Mounts
26	Coverstrip	38	Spray Suppressant
27	Plastic Mudguard Dress Strip	38	Spray Suppressant Accessories
28	Front Wheel Arch Flare Kit	40	LELOX's Good Truckin Polish
30	Mounting Brackets	42	Other Lelox Services

Quarter Mudguards



CURVED EDGE

PART NUMBER	MATERIAL	THICKNESS	WEIGHT
SS11QTSC	Stainless Steel shiny finish	1.1mm	4.0kg
AM20QTSC	Aluminium mill finish	2.0mm	2.6kg
SS11QTSC500	Stainless Steel shiny finish	1.1mm	4.0kg
SS11QTSC500PP	Stainless Steel shiny finish. Pre-punched for brackets	1.1mm	4.0kg

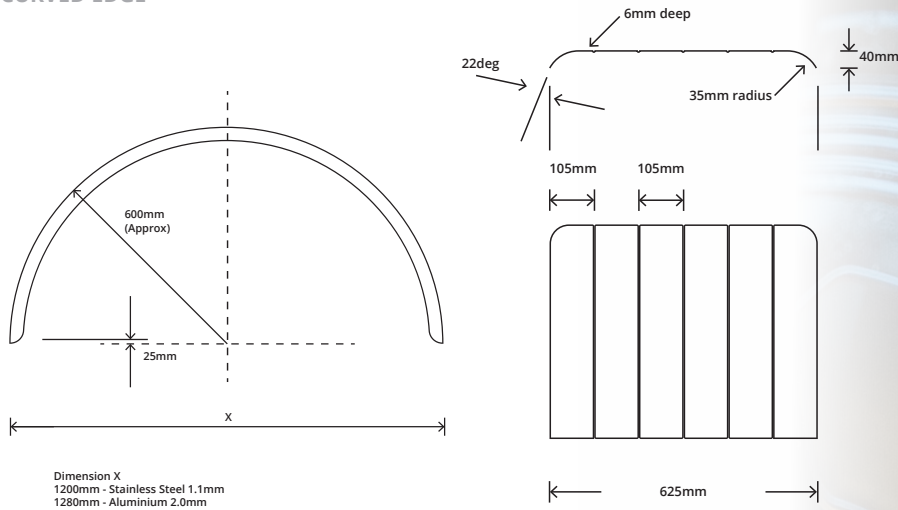


CURVED EDGE PROVISION FOR MUDFLAP

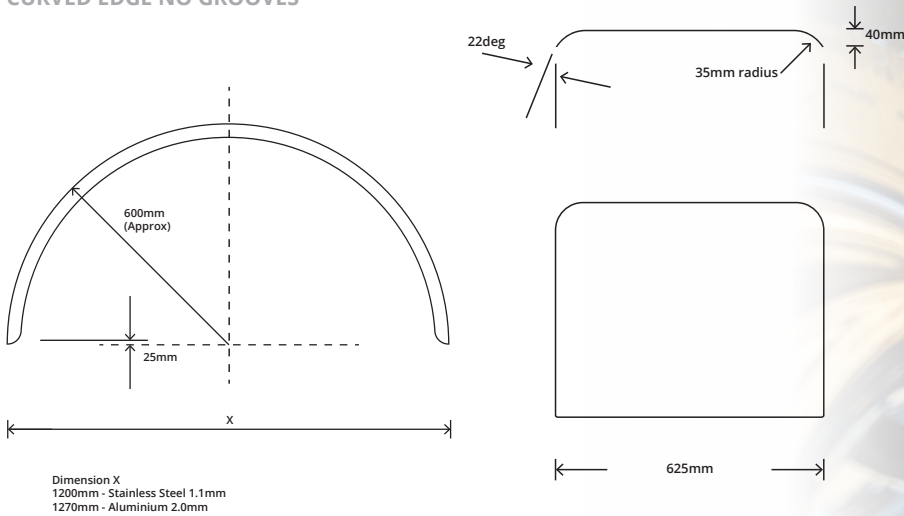
PART NUMBER	MATERIAL	THICKNESS	WEIGHT
SS11QTFC	Stainless Steel shiny finish	1.1mm	4.0kg
AM20QTFC	Aluminium mill finish	2.0mm	2.6kg

Single Mudguards

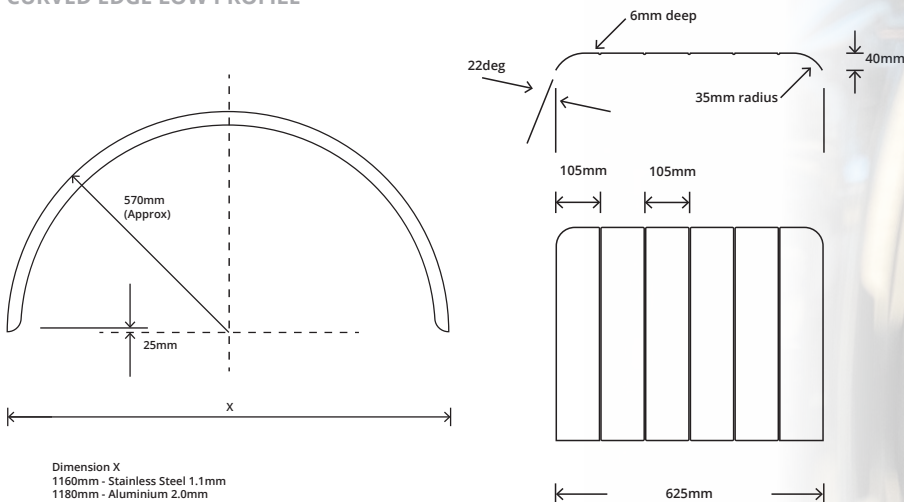
CURVED EDGE



CURVED EDGE NO GROOVES



CURVED EDGE LOW PROFILE





CURVED EDGE

PART NUMBER	MATERIAL	THICKNESS	WEIGHT
SS11SINC	Stainless Steel shiny finish	1.1mm	10.2kg
AM20SINC	Aluminium mill finish	2.0mm	6.9kg

CURVED EDGE NO GROOVES

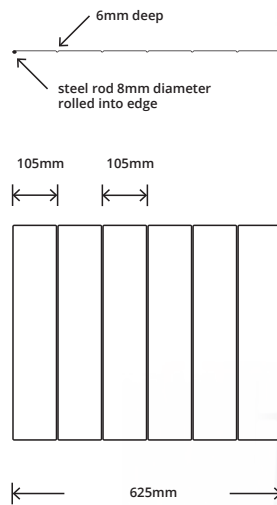
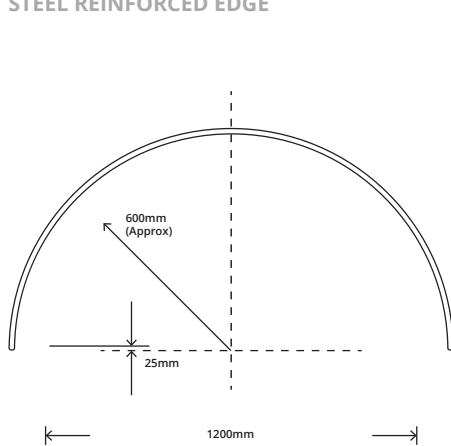
PART NUMBER	MATERIAL	THICKNESS	WEIGHT
SS11SINCNG	Stainless Steel shiny finish	1.1mm	10.2kg
AM20SINCNG	Aluminium mill finish	2.0mm	6.9kg

CURVED EDGE LOW PROFILE

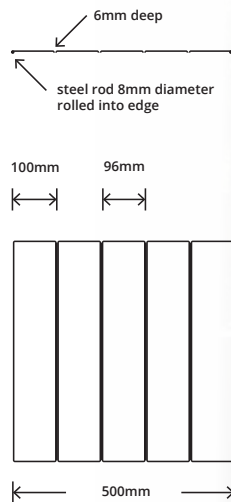
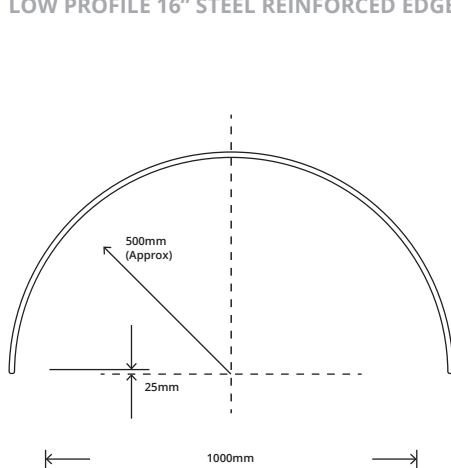
PART NUMBER	MATERIAL	THICKNESS	WEIGHT
SS11SLPC	Stainless Steel shiny finish	1.1mm	10.2kg
AM20SLPC	Aluminium mill finish	2.0mm	6.9kg

Single Mudguards

STEEL REINFORCED EDGE



LOW PROFILE 16" STEEL REINFORCED EDGE





STEEL REINFORCED EDGE

PART NUMBER	MATERIAL	THICKNESS	WEIGHT
SS11SINR	Stainless Steel shiny finish	1.1mm	11.5kg
AM20SINR	Aluminium mill finish	2.0mm	8.3kg

LOW PROFILE 16" STEEL REINFORCED EDGE

PART NUMBER	MATERIAL	THICKNESS	WEIGHT
SS11SLPR16	Stainless Steel shiny finish	1.1mm	8.4kg
AM20SLPR16	Aluminium mill finish	2.0mm	6.3kg

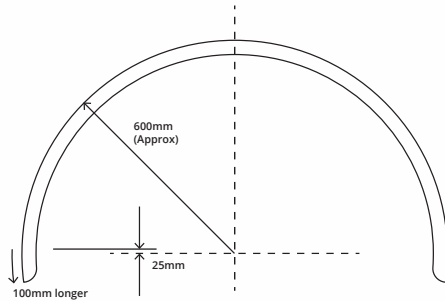
Signature Series Single Mudguard



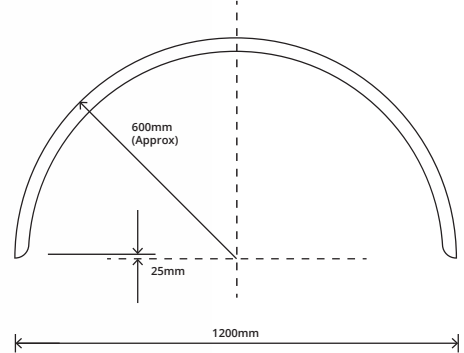
Australian Made
Enhanced finish - Full no.8 Mirror 304 grade
Accept no imitations. Look for the label



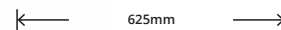
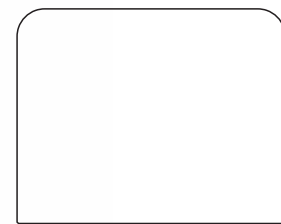
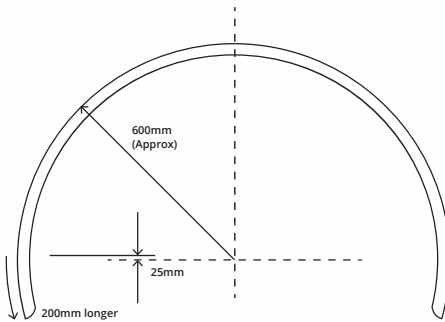
EXTRA LONG VERSION (100mm)



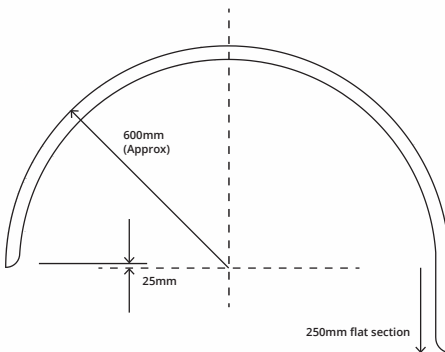
SINGLE SIGNATURE



EXTRA LONG VERSION (200mm)



CANDY CANE STYLE (250mm FLAT SECTION)



SIGNATURE SERIES MUDGUARD

PART NUMBER

SS15304SINCNG

SS15304SINCNG2000

SS15304SINCNG2200

SS15304SINCNG250F

MATERIAL

Signature Series Single Mudguard Curved Edge No Grooves

Signature Series Single Mudguard Curved Edge No Grooves 100mm Wrap Each Side

Signature Series Single Mudguard Curved Edge No Grooves 200mm Wrap Each Side

Signature Series Single Mudguard Curved Edge No Grooves 250mm Drop One Side Candy Cane Style

Super Single Mudguards

STEEL REINFORCED EDGE

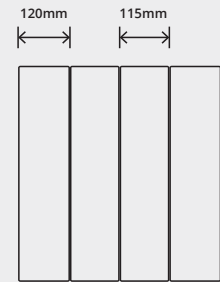
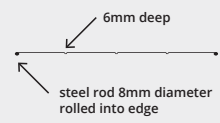
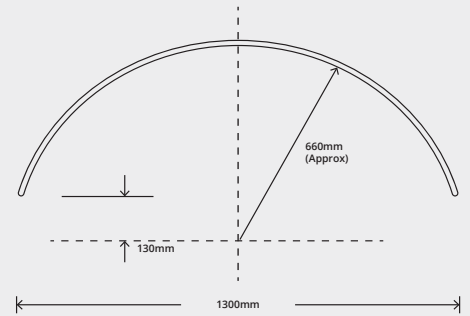
PART NUMBER	MATERIAL	THICKNESS	WEIGHT
SS11SSNR	Stainless Steel shiny finish	1.1mm	8.8kg
AM20SSNR	Aluminium mill finish	2.0mm	6.6kg

Half Tandem Mudguards

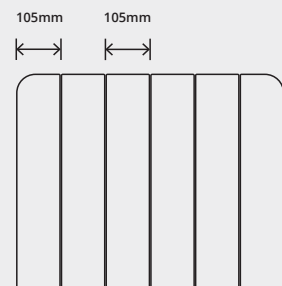
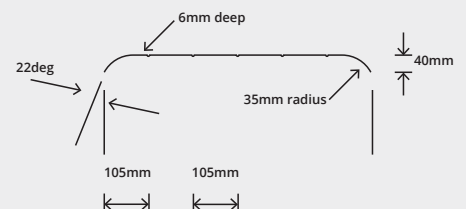
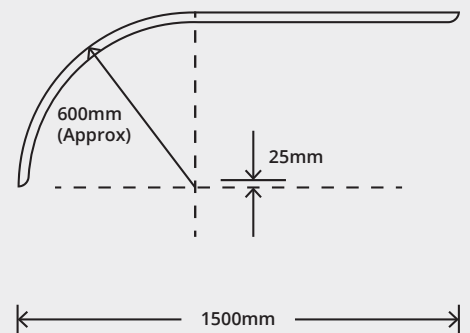
CURVED EDGE

PART NUMBER	MATERIAL	THICKNESS	WEIGHT
SS11HTMC	Stainless Steel shiny finish	1.1mm	10.2kg
AM20HTMC	Aluminium mill finish	2.0mm	6.9kg

SUPER SINGLE MUDGUARD

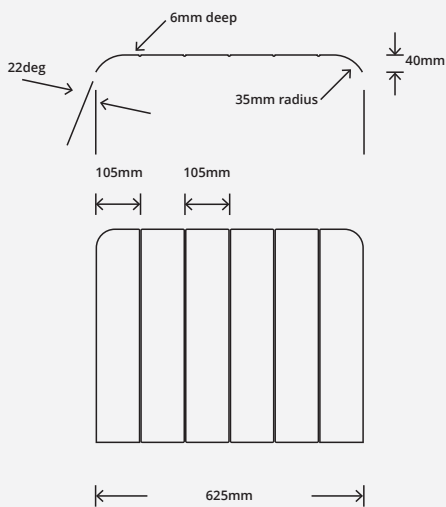
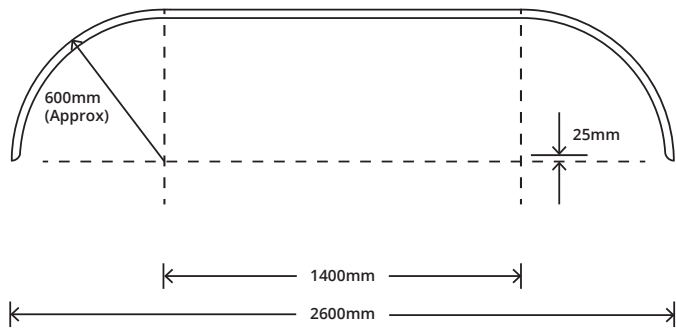


HALF TANDEM MUDGUARD



Tandem Mudguards

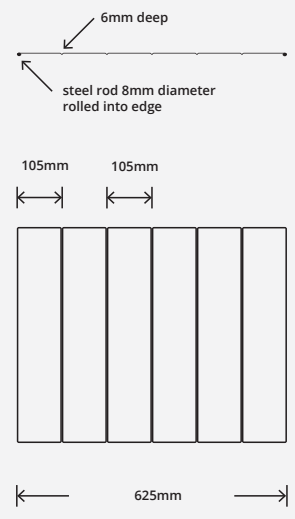
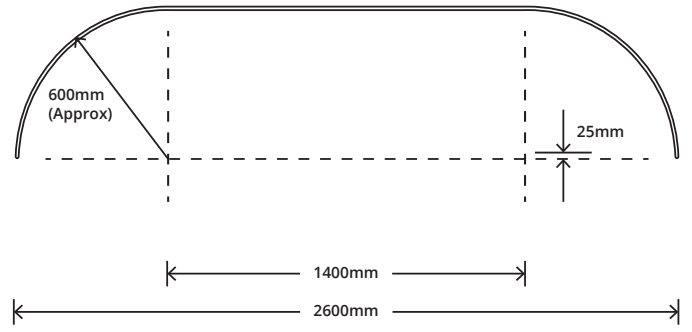
PLEASE NOTE: When mounting tandem / triaxle mudguards, the flat section of the mudguard **MUST** be supported. LEXO recommends the use of an offset chassis pipe (OSCPSS) and flat bracket (MMABF).



CURVED EDGE

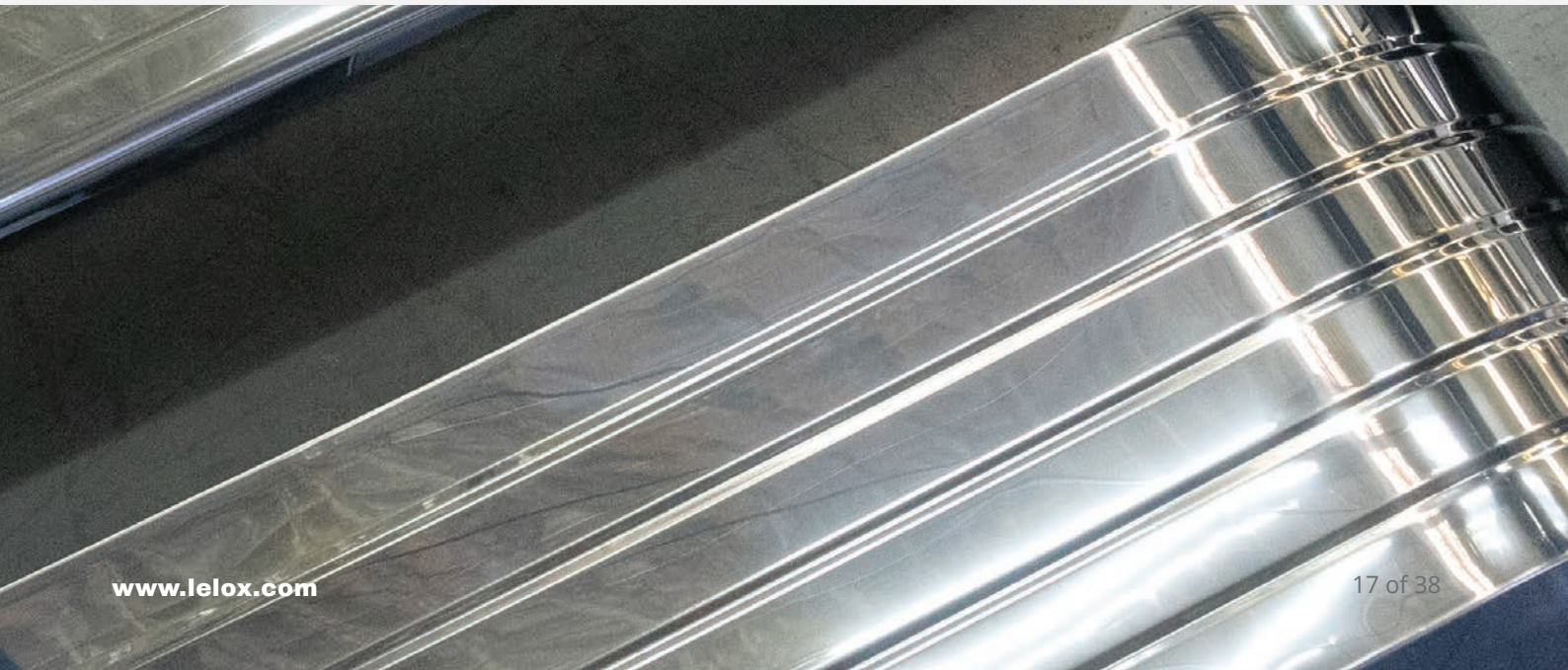
PART NUMBER	MATERIAL	THICKNESS	WEIGHT
SS11TANC	Stainless Steel shiny finish	1.1mm	18.2kg
AM20TANC	Aluminium mill finish	2.0mm	11.8kg





STEEL REINFORCED EDGE

PART NUMBER	MATERIAL	THICKNESS	WEIGHT
SS11TANR	Stainless Steel shiny finish	1.1mm	18.2kg
AM20TANR	Aluminium mill finish	2.0mm	11.8kg

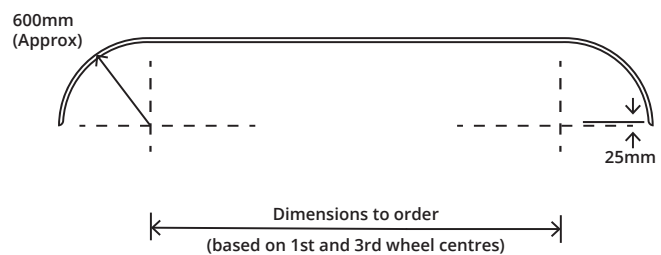
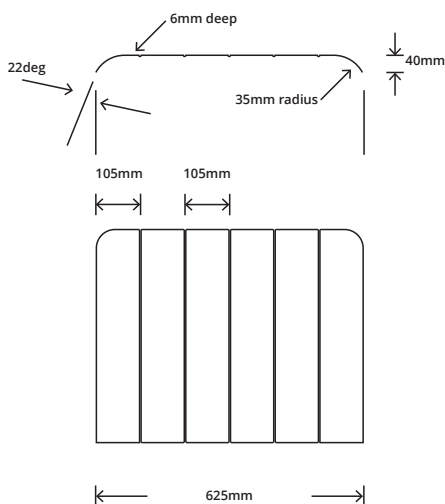


Triaxle Mudguards

PLEASE NOTE: When mounting tandem / triaxle mudguards, the flat section of the mudguard **MUST** be supported. LEXO recommends the use of an offset chassis pipe (OSCPSS) and flat bracket (MMABF).

CURVED EDGE

PART NUMBER	MATERIAL	THICKNESS	WEIGHT
SS11TRIC	Stainless Steel shiny finish	1.1mm	24.5kg
AM20TRIC	Aluminium mill finish	2.0mm	15.9kg



Extra Long Mudguards

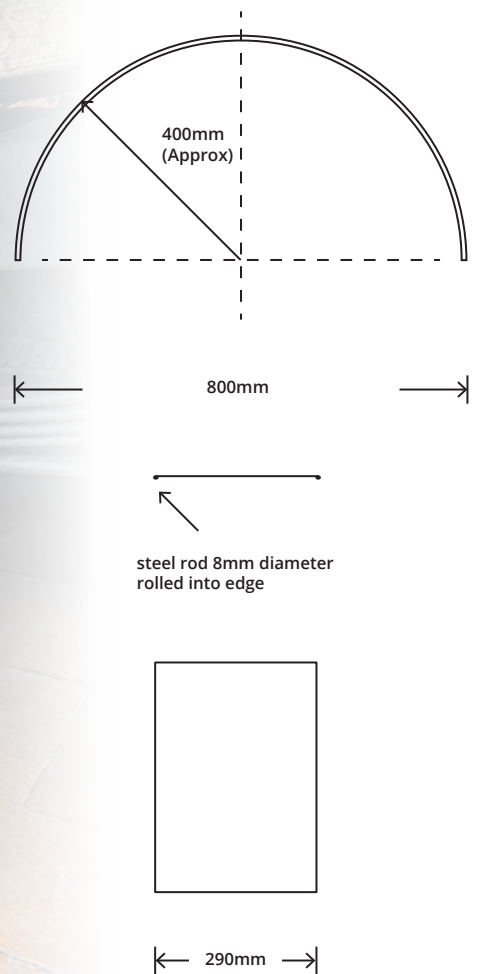
**Can be grooved or smooth. Made to order.
100mm additional on each end of our standard single mudguard.
200mm additional on each end of our standard single mudguard.**

CURVED EDGE

PART NUMBER	MATERIAL	THICKNESS	WEIGHT
SS11SINC2000	Stainless Steel shiny finish	1.1mm	11.33kg
SS11SINCNG2000	Stainless Steel shiny finish	1.1mm	11.33kg
SS11SINC2200	Stainless Steel shiny finish	1.1mm	12.47kg
SS11SINCNG2200	Stainless Steel shiny finish	1.1mm	12.47kg



Cab Chassis Ute Mudguards



STEEL REINFORCED EDGE

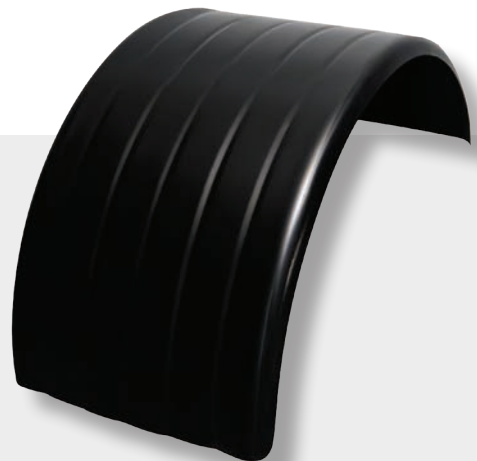
PART NUMBER	MATERIAL	THICKNESS	WEIGHT
SS11SUTE	Stainless Steel shiny finish	1.1mm	4.1kg
AM20SUTE	Aluminium mill finish	2.0mm	2.8kg



Custom Mudguards



If you require a custom size mudguard outside our standard range, please contact us.



Mudflap and Dress Strip



Did you know you can get your mudguards pre-punched for Mudflap? Minimise your downtime! Contact our team to find out how



MUDFLAP

PART NUMBER	DESCRIPTION
MF2B	Black Mudflap 450 x 605mm, LELOX logo in Silver.

MUDFLAP DRESS STRIP

PART NUMBER	DESCRIPTION
MF2BDS304SS	Stainless steel Mudflap Dress Strip 3mm with LELOX Triangle. Includes all fasteners

MUDFLAP DRESS STRIP KIT

PART NUMBER	DESCRIPTION
MF2BDS304SSKIT	Includes MF2B and MF2BDS304SS

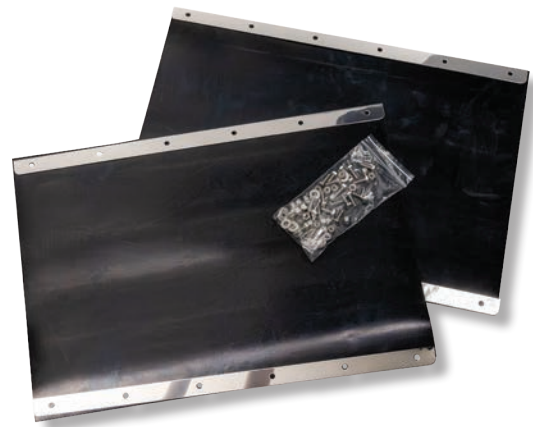


Loop Kit

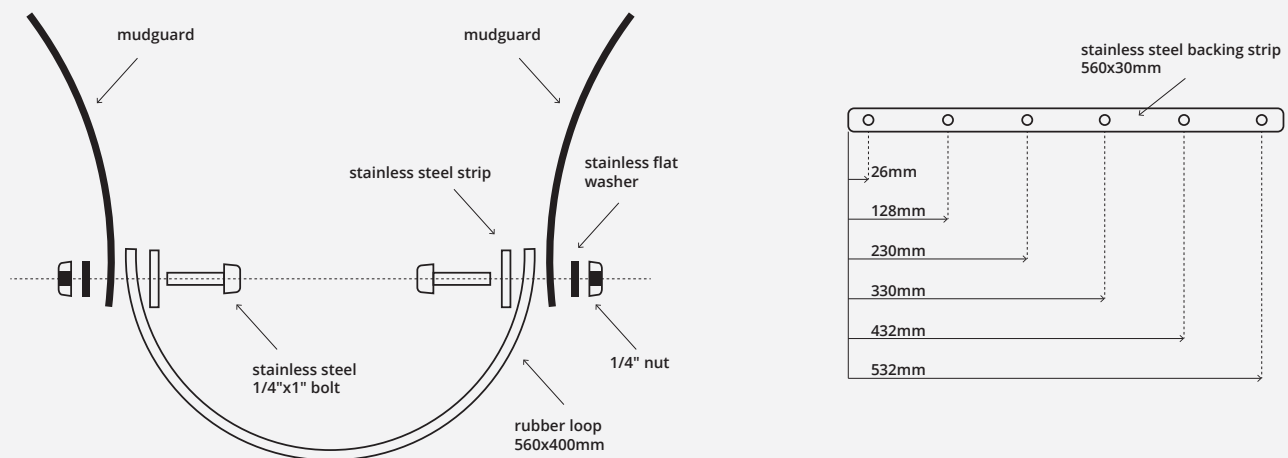


Did you know you can get your mudguards pre punched for Loop kit? Minimise your downtime! Contact our team to find out how

PART NUMBER	MATERIAL	WEIGHT
LK1	2 Insertion Rubber pieces, 4 Stainless Steel Strips, Nuts & Bolts	3.3kg



LK1 used with Coverstrip.
Coverstrip not included.



Includes 2 pieces to do both sides of the truck

Stainless Steel Strip can be purchased separately.
Part number: SSS

Quick Release Mudflap Clamp



PART NUMBER	DESCRIPTION
QRMFCSS	Quick Release Mudflap Clamp for Stainless Steel mudguards
QRMFCPL620	Quick Release Mudflap Clamp for Plastic mudguards 620mm wide
QRMFCPL630	Quick Release Mudflap Clamp for Plastic mudguards 630mm wide
QRMFCPL650	Quick Release Mudflap Clamp for Plastic mudguards 650mm wide
ASB350	Anti Sail Bracket 350mm long
ASB550	Anti Sail Bracket 550mm long

- **Prevent damage to your mudflaps**
- **Finish off your mudguards with this tough new look**
- **Install and remove mudflaps in a few minutes**
- **Mudflaps remain stable and secure under normal operation**
- **Mudflaps will release when sufficient tension is applied**
- **No moving parts to be seized up by mud and debris**
- **No modifications required to mudguards and chassis setup for fitment***
- **Product includes backing plate, vibration dampeners, nuts and bolts**



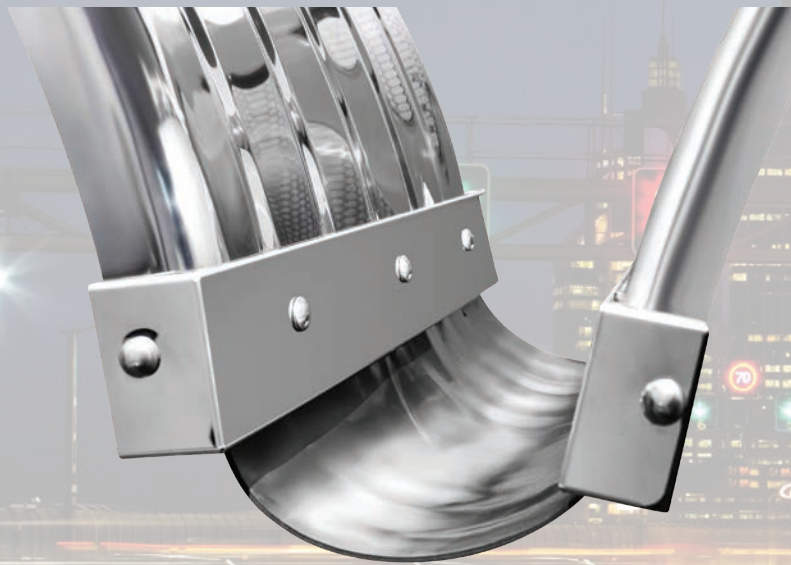
TIPPER CLAMPS

PART NUMBER	DESCRIPTION
QRMFCT	Quick Release Mudflap Clamp to suit Tippers

- **Gain access easily to dual tyres**
- **Prevent damage to your mudflaps**
- **Install and remove mudflaps in a few minutes**
- **Mudflaps remain stable and secure under normal operation**
- **Mudflaps will release when sufficient tension is applied**
- **No moving parts to be seized up by mud and debris**

Coverstrip

If the functionality of the quick release clamp is not needed but you still want to make your truck look great, fit LELOX's coverstrip! Use with a loop kit or on its own!



PART NUMBER	DESCRIPTION
MFCSSS	Mudflap Coverstrip for Stainless Steel mudguards
MFCSPL620	Mudflap Coverstrip for Plastic mudguards 620mm wide
MFCSPL6204S	Mudflap Coverstrip for Plastic mudguards 620mm wide 4 slot
MFCSPL630	Mudflap Coverstrip for Plastic mudguards 630mm wide
MFCSPL6304S	Mudflap Coverstrip for Plastic mudguards 630mm wide 4 slot
MFCSPL650	Mudflap Coverstrip for Plastic mudguards 650mm wide
MFCSPL6504S	Mudflap Coverstrip for Plastic mudguards 650mm wide 4 slot

Plastic Mudguard Dress Strips

STAINLESS STEEL

PART NUMBER	PLASTIC MUDGUARD	LENGTH	WIDTH
PMDS1700	Spraysafe	1700mm	86mm
PMDS1720	Truckmate	1720mm	86mm
PMDS1755	Maxus	1755mm	86mm



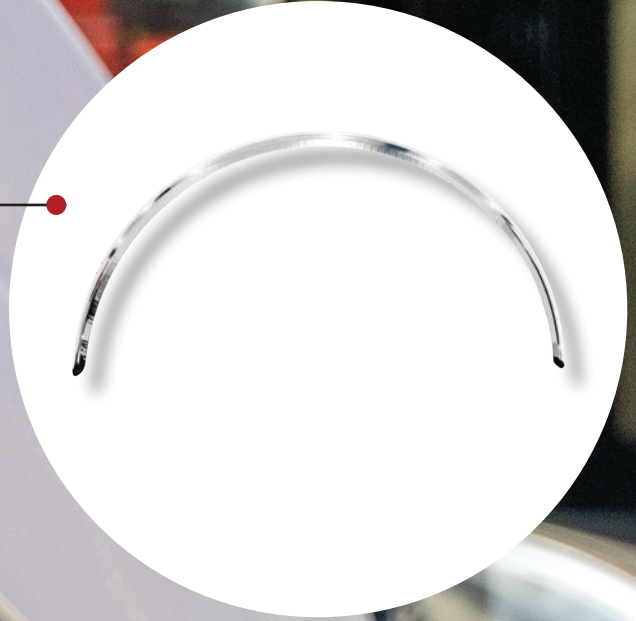
Each dress strip set will dress a single plastic mudguard.

Plastic Mudguard and Quick Release Clamp not included

**Included in each set:
2 pre punched stainless steel dress strips
4 button head socket screws
4 washers
4 nyloc nuts**

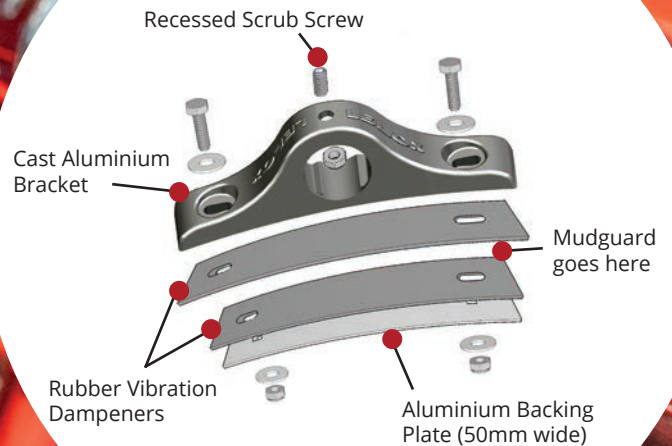
Front Wheel Arch Flare Kit

PART NUMBER	MATERIAL	LENGTH	WIDTH
SS11FLA60	Stainless Steel shiny finish	Cut from SS11SINC	60mm
SS11FLA80	Stainless Steel shiny finish	Cut from SS11SINC	80mm
SS11FLA80K200	Stainless Steel shiny finish Suits Kenworth K200	Cut from Custom Guard	80mm

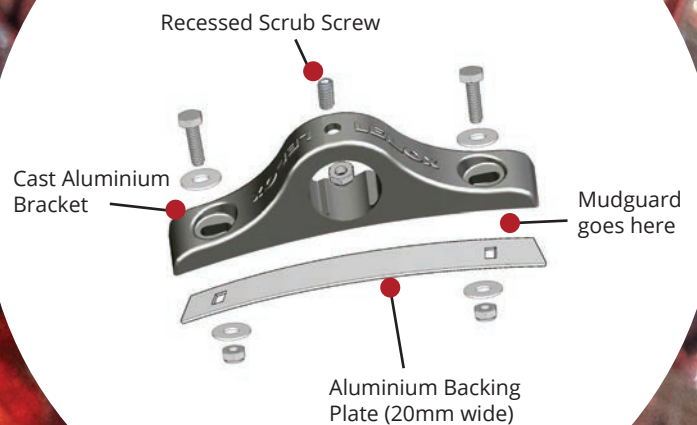


Mounting Brackets

FOR METAL MUDGUARDS



FOR PLASTIC MUDGUARDS



Signature Series
Cast from 304 Grade Stainless Steel
#600 High Polish Finish
Stainless Steel Dome Head Bolts

FOR METAL MUDGUARDS



SIGNATURE SERIES



FOR METAL MUDGUARDS

PART NUMBER	MATERIAL	DESCRIPTION
MMAB	Cast Aluminium	Radius Bracket
MMABF	Cast Aluminium	Flat Bracket
MMAB-POL	Cast Aluminium	Radius Bracket

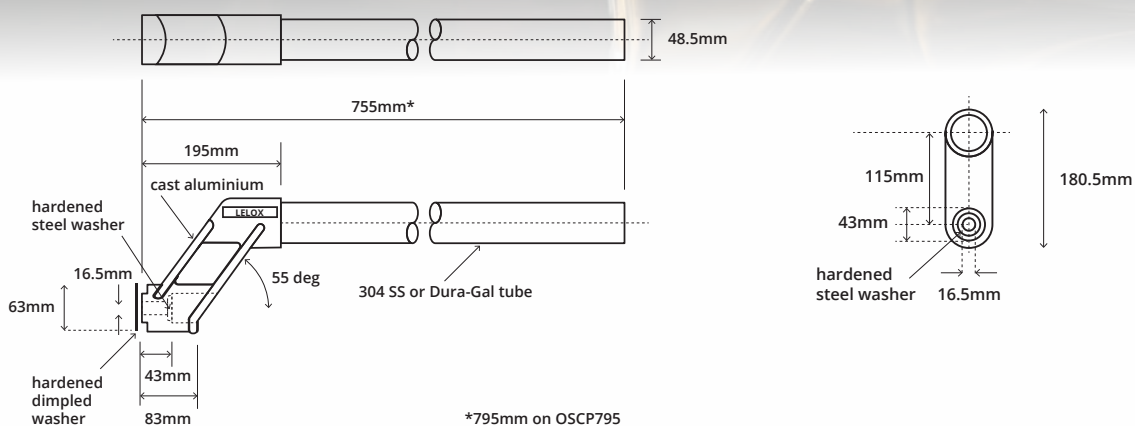
FOR PLASTIC MUDGUARDS

PART NUMBER	MATERIAL	DESCRIPTION
PMAB	Cast Aluminium	Radius Bracket
PMAB-POL	Cast Aluminium	Polished Radius Bracket

“SIGNATURE SERIES”

PART NUMBER	MATERIAL	DESCRIPTION
SSMBO	Stainless Steel	Radius Bracket (Open)
SSMBB	Stainless Steel	Radius Bracket (Blind)

Chassis Pipes



OFFSET

PART NUMBER	MATERIAL	WEIGHT
OSCP	Cast Aluminium Boss w/ Dura-Gal Tube *	3kg
OSCPSS	Cast Aluminium Boss w/ Stainless Steel Tube ^	3kg
OSCPSSPOL	Hand Polished Cast Aluminium Boss w/ Stainless Steel Tube	3kg
OSCP795	795mm Pole	3.5kg

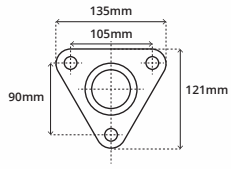
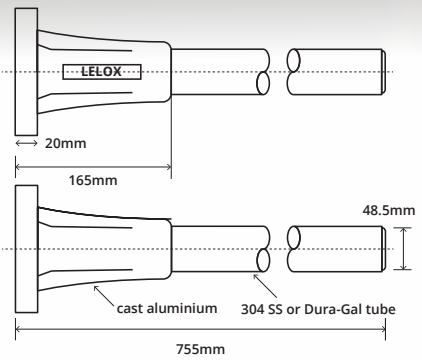
All Offset Chassis Pipes come with hardened steel washer (must be used to ensure secure fitting) and black plastic plug for bolt concealment

* Dura-Gal tube equipped with Black plastic end cap (BP1)

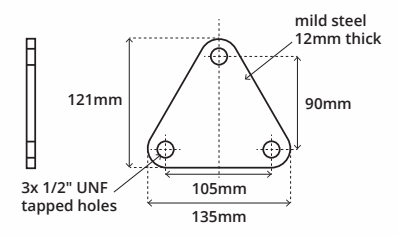
^ Stainless Steel tube equipped with Stainless Steel end cap (SSEC)



Grade 8 High Tensile 5/8" Bolt (Not included)



Optional part
SP1 Sub Plate

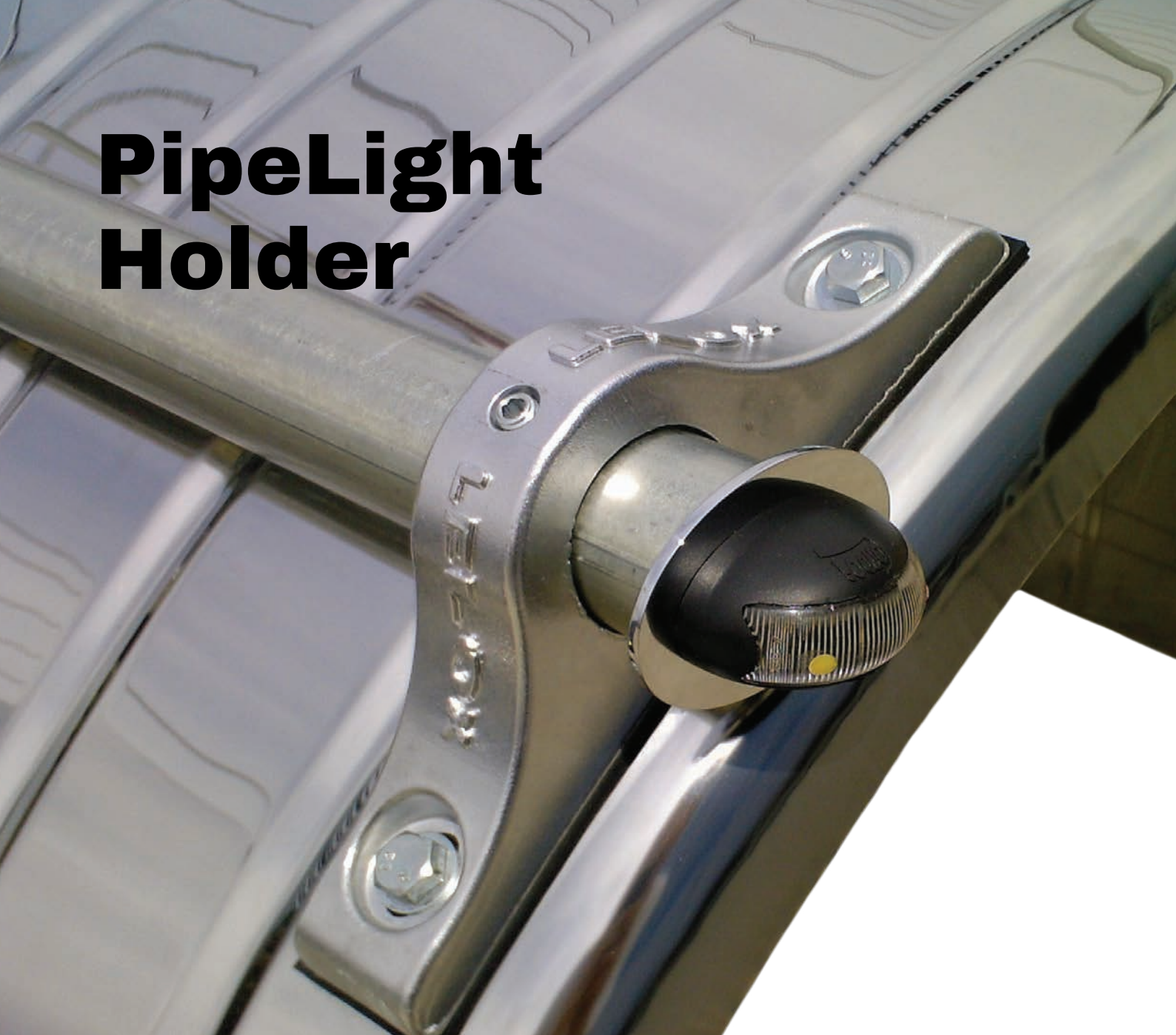


STRAIGHT

PART NUMBER	MATERIAL	WEIGHT
STCP	Cast Aluminium Boss w/ Dura-Gal Tube	3kg
STCPSS	Cast Aluminium Boss w/ Stainless Steel Tube	3kg
STCPSSPOL	Hand Polished Cast Aluminium Boss w/ Stainless Steel Tube	3kg



PipeLight Holder



The PipeLight Holder is designed to fit flush into the open end of a chassis pipe. The chromed steel PipeLight Holder accepts compact LED lights that have housing mounting holes 28.5mm apart. The electrical lead runs through the pipe. Easy to install - includes 2 stainless steel rivets to secure the PipeLight Holder to the pipe.

PART NUMBER	DESCRIPTION	WEIGHT
PLH1	Chromed Steel	0.15kg



No lights are included with the LELOX PipeLight Holder. The LELOX PipeLight Holder fits chassis pipe tubes that have an inner diameter of 41mm or greater. Drilling into chassis pipe required to connect electrical lead.

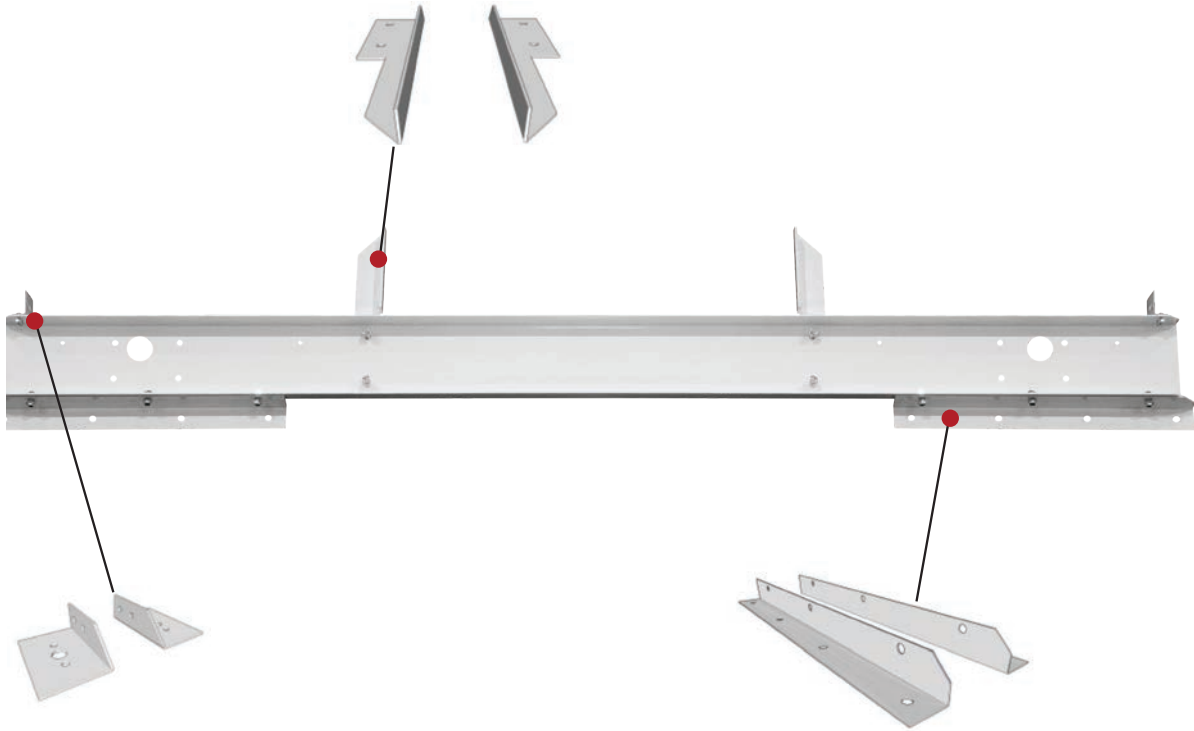
9.2053.07	DuraLED angle mounting spacer
9.2053.10BULK	Housing for DuraLED marker lamps - red
9.2054.11BULK	Housing for DuraLED marker lamps - white
9.2054.12BULK	Housing for DuraLED marker lamps - blue
9.2054.13BULK	Housing for DuraLED marker lamps - green
9.2054.14BULK	Housing for DuraLED marker lamps - yellow
2026	DuraLED amber light
2026BULK	DuraLED amber light (4 pack)
2051	DuraLED 'front' outline lamp
2051BULK	DuraLED 'front' outline lamp (4 pack)
2053	DuraLED side marker lamp – amber/red
2053BULK	DuraLED side marker lamp – amber/red (4 pack)
2053OEBULK	DuraLED side marker lamp – amber/red (24 pack)
2053PC	DuraLED PCside marker lamp – amber/red (20 pack)
2053SBULK	DuraLED side marker lamp – red/amber (4 pack)
2054	DuraLED front position/outline lamp
2054BULK	DuraLED front position/outline lamp (4 pack)
2307	DuraLED rear position/outline lamp – red
2307BULK	DuraLED rear position/outline lamp – red

COMPATIBLE HELLA MODELS

91602	LED amber/red side marker lamp, black base
91602C	LED amber/red side marker lamp, chrome base
91602W	LED amber/red side marker lamp, white base
91603	LED amber/red side marker lamp, black base (2.5 m cable)
91612	LED white outline marker lamp, black base
91612C	LED white outline marker lamp, chrome base
91612W	LED white outline marker lamp, white base
91613	LED white outline marker lamp, white base (2.5 m cable)
91622	LED amber outline marker lamp, black base
91622C	LED amber outline marker lamp, chrome base
91622W	LED amber outline marker lamp, white base
91623	LED amber outline marker lamp, black base (2.5 m cable)
91632	LED red outline marker lamp, black base
91632C	LED red outline marker lamp, chrome base
91632W	LED red outline marker lamp, white base
91642	LED amber side direction indicator lamp, black base
91642C	LED amber side direction indicator lamp, chrome base
91642W	LED amber side direction indicator lamp, white base
91643	LED amber side direction indicator lamp, black base (2.5 m cable)
91688	White deflector mounting base
91689	Chrome deflector mounting base
91690	Black deflector base to all model 15 and 16 lamps (base only)

COMPATIBLE NARVA MODELS

C Channel Light Bar



**C Channel light bar comes in kit form.
All components included.
Nuts, bolts and washers included**

C CHANNEL LIGHT BAR

PART NUMBER	MATERIAL	WEIGHT
CCLB1 KIT	Steel, Powder Coated White	21kg

C CHANNEL LIGHT BAR DRESS STRIP

PART NUMBER	MATERIAL	LENGTH	WIDTH
CCLB1DSKIT	C Channel Light Bar with Stainless Steel Dress Strip	240mm	155mm
CCLB1DS	C Channel Light Bar with Stainless Steel Dress Strip	155mm	240mm



Tail Light Mounts



This model holds 3 horizontal grommet mounted rectangular tail lights:

3 x Narva model 45 or 46
or
3 x LED Autolamps model 130,5590,5940



This model holds 4 vertical grommet mounted rectangular tail lights:

4 x Narva model 45 or 46
or
4 x LED Autolamps model 130,5590,5940



This model holds 1 jumbo light:

1 x Hella LED jumbo light model 2416LED, 2423LED, 2424LED, 2427, 2428
or
1 x LED Autolamp J9 jumbo truck light model J9BARRM, J9BARXM, J9BARWM, J9CARRM, J9CARXM, J9CARWM
or
1 x Narva model 48 LED jumbo light model 94850, 94852, 94856H, 94857H

- **The tail light mounts are supplied in boxes of two.**
- **Some assembly is required, tail light mounts come in kit form - kit includes all items needed.**
- **Tail light mounts attach securely to chassis pipe.**
- **Lights are not included with tail light mount kits.**
- **Custom tail light mounts or blank face tail light mounts available - contact us for details.**

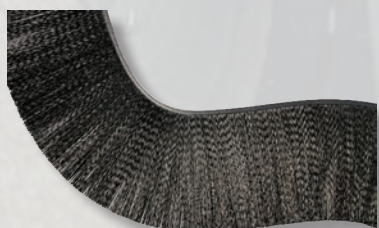
PART NUMBER	DESCRIPTION	WEIGHT
TLM3H	3 Horizontal Lights	1.48kg
TLM4V	4 Vertical Lights	1.62kg
TLMJUM	1 Jumbo Light	1.9kg

Spray Suppressant



RIGID BACKING

PART NUMBER	DESCRIPTION
RIG75	75mm filament, 1820mm pre-cut length. 770g/length
RIG100	100mm filament, 1820mm pre-cut length. 870g/length
RIG175	175mm filament, 1820mm pre-cut length. 1060g/length
RIG275	275mm filament, 1820mm pre-cut length. 1700g/length



FLEXIBLE BACKING

PART NUMBER	DESCRIPTION
FLX75	75mm filament, 60m coil or cut to size. 230g/m
FLX100	100mm filament, 60m coil or cut to size. 280g/m
FLX175	175mm filament, 1820mm pre-cut length. 640g/length
FLX275	275mm filament, 1820mm pre-cut length. 940g/length

Accessories



HA-1

PART NUMBER	DESCRIPTION
HA-1 / HA-1C	'h' type aluminium clip, 8.2g
HA-2	'h' type aluminium clip, 16g
HS-1	'h' type steel clip, 5.5g
H-TR	'h' section aluminium track 2600mm long, 836g/length
FA-1	'f' type aluminium clip, 7.2g
FA-2	'f' type aluminium clip, 16g
FS-1	'f' type steel clip, 5.0g
F-TR	'f' section aluminium track 2600mm long, 784g/length



Each kit includes 2 x arched rigid backed spray suppressant 1640mm long complete with clips and pop rivets, 1.5kg/kit.

ARCHED SPRAY SUPPRESSANT KIT

PART NUMBER	DESCRIPTION
SP25H	25mm filament, curved 'h' clips for curved edge mudguards
SP100H	100mm filament, curved 'h' clips for curved edge mudguards
SP100F	100mm filament, curved 'F' clips for reinforced edge mudguards



HA-1C



HA-2



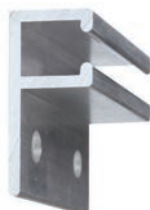
HS-1



HS-1



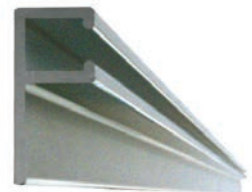
FA-1



FA-2



FS-1



F-TR

LELOX's Good Truckin Polish

LELOX prides itself on innovation, whilst also producing quality and unique products.

When it comes to your truck, mudguards are the focal point. With LELOX stainless steel mudguards you stand out from the crowd.

They're durable, reliable and shiny. Use LELOX's GOOD TRUCKIN POLISH for Stainless Steel, on your LELOX stainless steel mudguards, mounts and accessories to keep them that way.

Directions:
Shake well before use. Polish in sections at a time.
Pour a small amount of product onto a suitable applicator.
Massage product thoroughly onto stainless steel surface.
Allow to dry to a chalky haze.
Remove residue with a clean microfiber cloth.
Continue to buff with microfiber until appropriate finish is desired.



PART NUMBER	DESCRIPTION
GTSSP	Good Truckin Polish for Stainless Steel. 470ml Polish, Microfibre Cloth& Sponge

Caution: May be harmful if swallowed. Do not induce vomiting. Contact a medical professional as soon as possible.
Skin irritation - If irritation of skin occurs, wash with soap and water.
Eye irritation - Flush eyes with flowing water for five minutes.
If inhalation is irritable, remove from exposure and move to an open space with fresh air.
CONTAINS: Aluminium oxide, silicone oil, SiO₂, MIT, essence, pure water.



Other Lelox Services



GARDEN TOOLS *Australia*



GARDEN TOOLS AUSTRALIA

Lelox's high quality line of garden accessories. Lelox has been proudly manufacturing its range of cast aluminium garden tools since the mid 1970's. The tools are cast in our in-house foundry from marine grade aluminium alloy. This material creates a virtually indestructible garden tool.

Head to the website www.gardentoolsaustralia.com.au to find out more.



LELOX® GASKETS AND SEALS



GASKETS AND SEALS

Lelox Gaskets and Seals has the experience and industry knowledge to meet your business requirements with "Good Old Fashioned Service". We stock a comprehensive range in Industrial Gaskets, Boiler Spares and Industrial supplies.



LELOX® CUTTING SERVICES



WATERJET CUTTING

Lelox uses the latest in hi-tech water jet cutting technology to enable us to precisely cut through a variety of materials. Our water jet is capable of fitting sheets up to 4000mm x 2000mm, allowing us to cut virtually any job, no matter how simple or complex.

Notes



LELOX[®]

Proudly Australian



**100 Argyle Street
South Windsor
NSW 2756
Australia**



www.lelox.com